

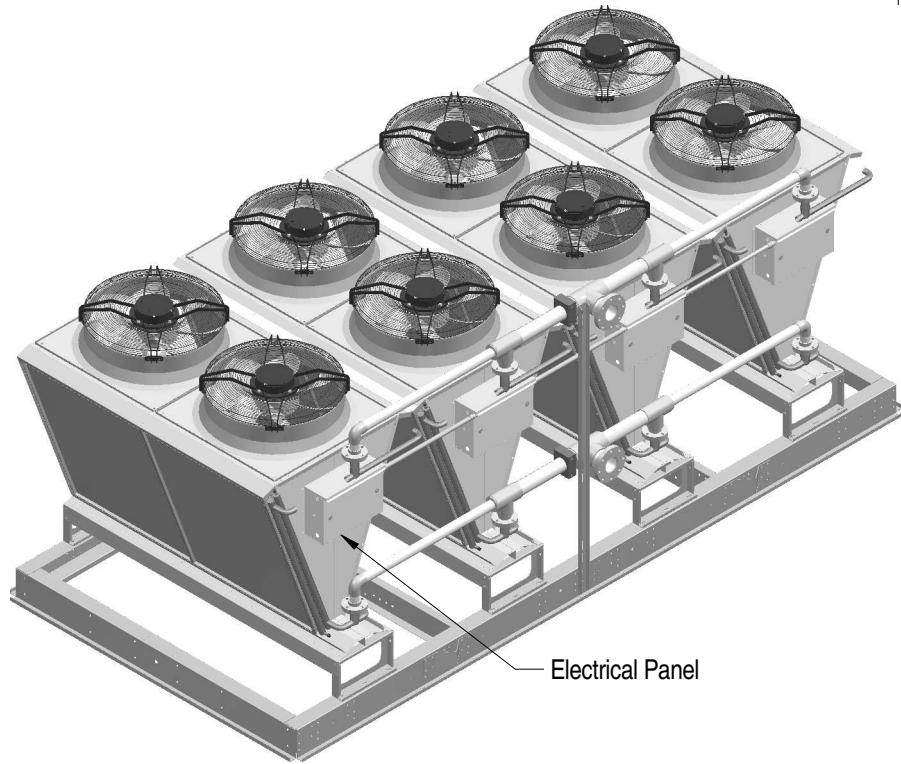
Model	Max. Fluid Flow 35 % Prop. Glycol (GPM)	Internal Fluid Volume (US gal.)	P.D. (ft. H2O)	Min. Circuit Ampacity (MCA)			Max. Fuse (MOP)			Noise Level* @ 30 ft. (dBA)
				230 V	460 V	575 V	230 V	460 V	575 V	
NG-V-42	320	50.6	24	82	36	27	100	40	30	69 / 77



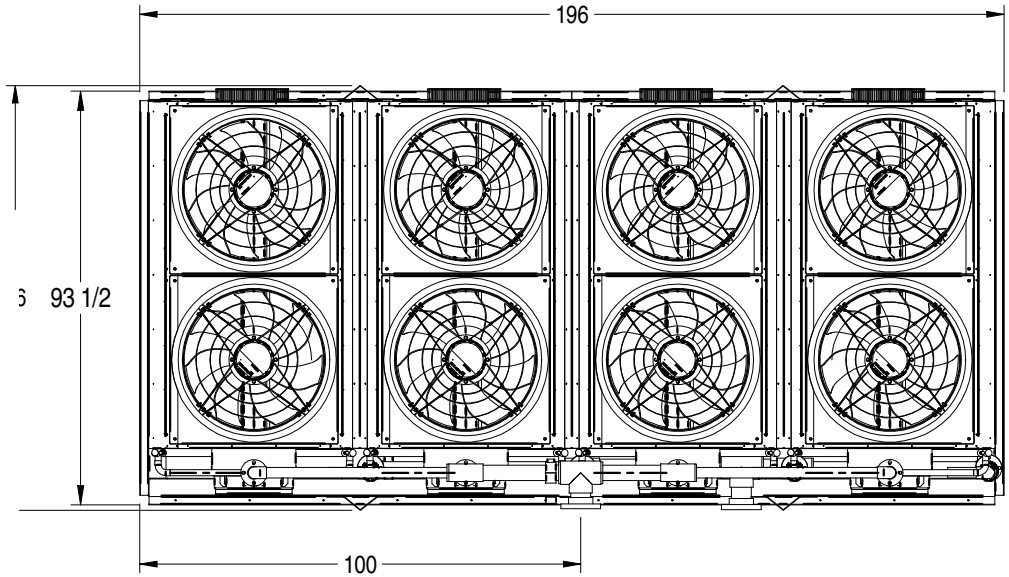
CAD FILE NG-V-42 rev02		
DATE	05/27/16	REV 01
DRAWN BY	N. EUSTACHE	
		SHEET 1 OF 1

DESCRIPTION  
NG-V VERTICAL AIR FLOW

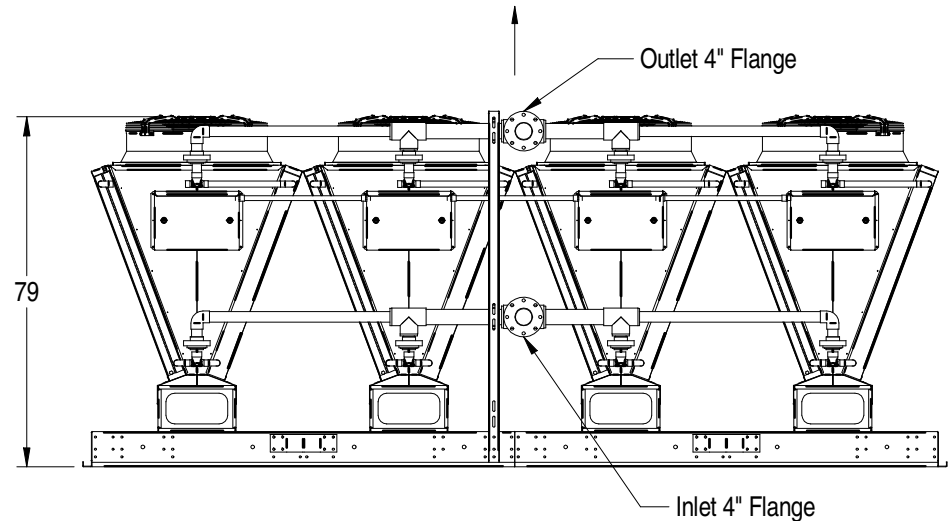
\*First value with fan running at low speed, second value at high speed.  
Values are for free field installation.  
Noise levels may vary due to installation factor.



Electrical Panel



96" of clearance required.



Outlet 4" Flange

Inlet 4" Flange

Important note:  
Minimum 36" of clearance all the way around for proper air flow.

UNIT OPERATING WEIGHT: 4800 LBS